



WALRUS
PUMP



TPU Series Self Priming Pump

High performance and corrosion resistant for seawater transferring



Better Life Through Innovation

The best choice for seawater transferring

Design for seawater

TPU adopts stainless steel and high-performance composites to prevent rust and corrosion



Easy installation & maintenance

Single stage impeller provides easy maintenance and long life cycle

Excellence performance

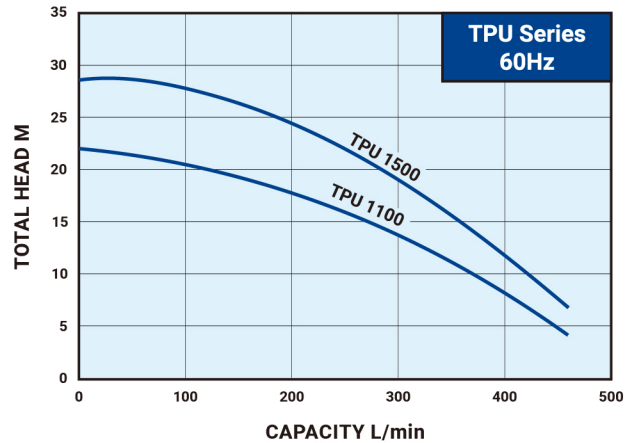
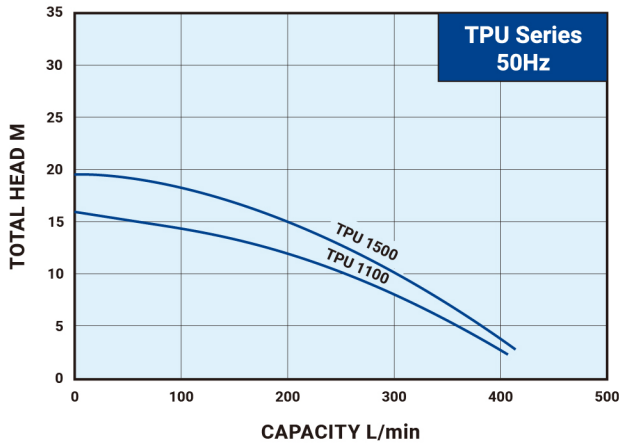
Three phase model equip with IE3 motor for energy saving.
Special impeller design for high flow rate



Applications

- Small aquarium
- Fish pond
- Seafood restaurant
- Ship
- Air conditioner
- Greenhouse
- Garden sprinkler
- Agriculture / Industrial / animal husbandry seawater transferring

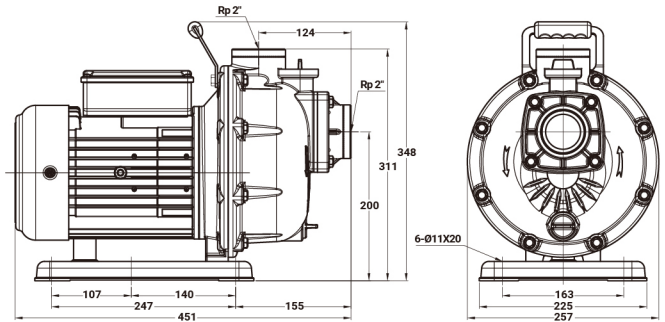
Performance curve



Operating Conditions

- Ambient Temperature: Max. +40°C
- Liquids Temperature: +4°C ~ +40°C
- System Pressure: Max. 3 kg/cm²
- Inlet Pressure: Max. 0 kg/cm²
- Max. Suction Depth: 6 m
- Kinematical Viscosity: 1 cst (mm²/s)
- Particle Size: 1mm

Dimensions



Electrical data, IE3

Model	PH Ø	Voltage code	Cycle Hz	Volts V	Output kW	Ampere I _{1/1} (A)	Service Factor	Ampere I _{max} (A)	Inlet in.	Outlet in.	N.W. kg
TPU 1100	3	9V	60	220-240 / 380-440	1.1	4.8-4.7 / 2.8-2.9	1.5	6.0-5.8 / 3.5-3.4	2"	2"	23
TPU 1500	3	9V	60	220-240 / 380-440	1.5	5.8-5.5 / 3.4-3.1	1.5	8.3-7.6 / 4.8-4.2	2"	2"	25
TPU 1100	3	9V	50	220-240 / 380-440	1.1	-	1.1	-	2"	2"	23
TPU 1500	3	9V	50	220-240 / 380-440	1.5	-	1.1	-	2"	2"	25

Electrical data, single phase

Model	PH Ø	Voltage code	Cycle Hz	Volts V	Input kW	Output kW	Ampere A	Inlet in.	Outlet in.	N.W. kg
TPU 1100	1	61R	60	200-240	1.98	1.1	6.0-5.8/3.5-3.4	2"	2"	23
TPU 1500	1	61R	60	200-240	2.74	1.5	6.0-5.8/3.5-3.4	2"	2"	25
TPU 1100	1	51R	50	200-240	-	1.1	-	2"	2"	23
TPU 1500	1	51R	50	200-240	-	1.5	-	2"	2"	25

The 50Hz data is for reference only.



WALRUS
PUMP

Walrus America Inc.

20220 Hempstead Road, Suite #30, Houston, TX 77065

Phone: 281-955-8035 Fax: 281-955-8037

Web: www.walrusamerica.com

© 2023 Walrus Pump Co., Ltd. All rights reserved.

All specifications are subject to change without notice. TPU - EN202303

