



WALRUS
PUMP

MULTISTAGE CENTRIFUGAL PUMP

TPH 2/4/8/12/25 T

60Hz



Walrus America Inc.

ISO 9001 Certified





Applications

The TPH Series are modernly designed with quiet and high efficient operation pumps, suitable for dependable water transfer, circulating or booster service.

- Industrial circulation system
- Washing/cleaning system
- Pressure boosting system
- Water/liquid transfer
- Agricultural irrigation
- air-conditioning

Motors

The pump is coupled with a totally enclosed, fan-cooled, squirrel-cage motor.

Nominal speed: 3500 rpm at 60Hz

Standard voltages: 1 phase: 115 / 230V
3 phase: 230 / 460V

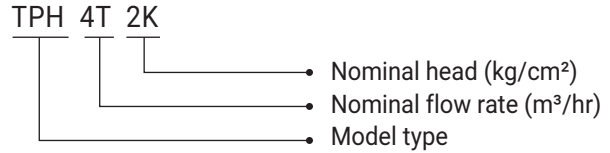
Protection class: IP54

Insulation class: F.

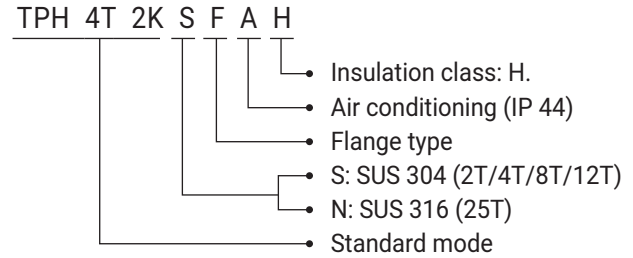
Pumps

Horizontal multi-stage centrifugal pump, non self-priming, close coupled design, impellers mounted on extended motor shaft. All rotating parts in contact with the pumped liquid are made of stainless steel.

Standard mode



Code



Operating limits

Ambient temperature: Max. 104°F (40°C)

Liquid temperature range: 32°F (0°C) to 194°F (90°C)

Flow: 16 GPM to 195 GPM

Head: 20 ft to 260 ft

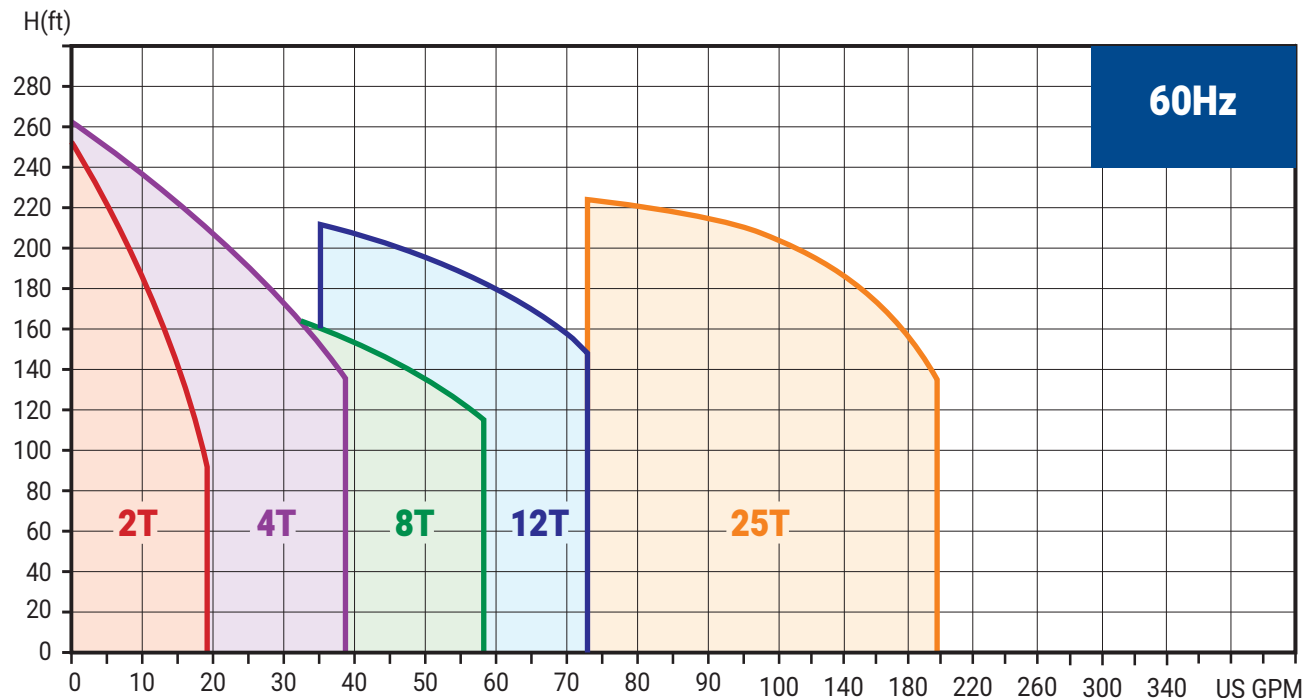
Operating pressure: Max. 142 psi

Inlet pressure: Max. 85 psi

Suitable liquids

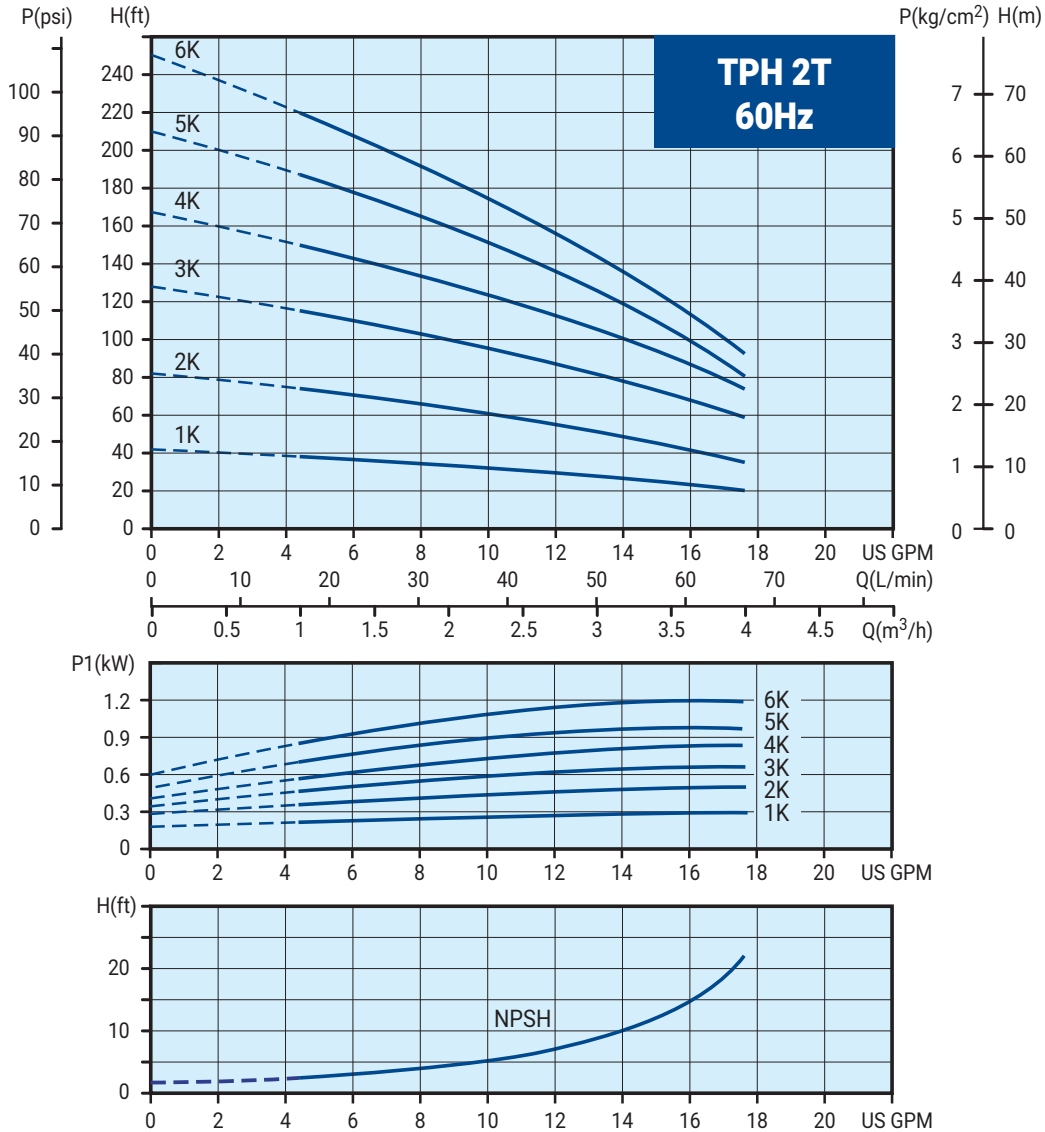
Clean or other non-corrosive liquids

Performance curves





Performance curves

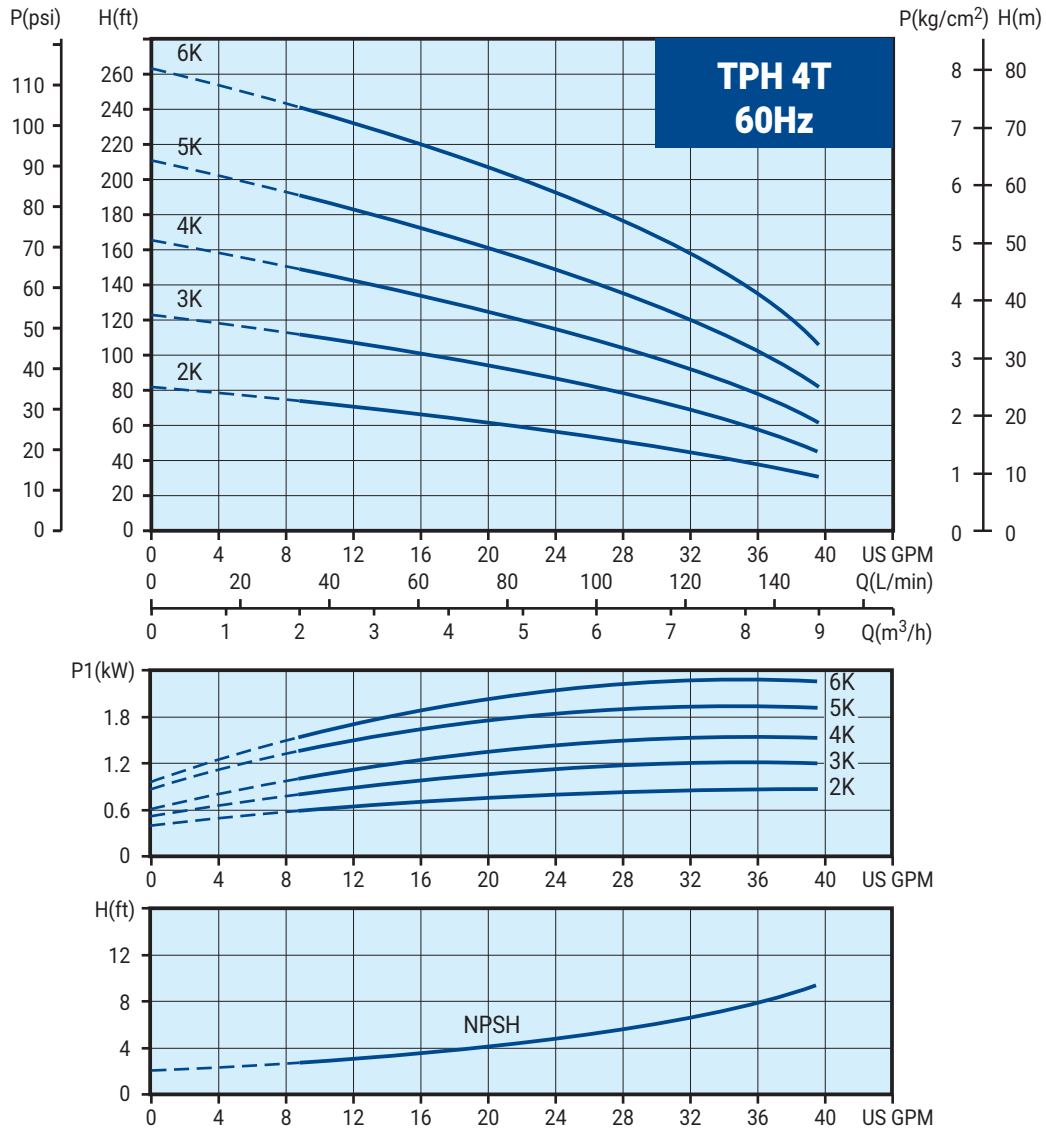


Electrical data, 60Hz, 3500rpm

Model	Power (HP)	Phase (Ø)	S.F.	Voltage (V)	Current (A)	Net Weight (lbs)
TPH 2T 1K	½	1Ø	1.9	115 / 230	10.0 / 5.0	25.8
		3Ø	1.9	230 / 460	3.1 / 1.6	
TPH 2T 2K	½	1Ø	1.9	115 / 230	10.0 / 5.0	26.0
		3Ø	1.9	230 / 460	3.1 / 1.6	
TPH 2T 3K	½	1Ø	1.9	115 / 230	10.0 / 5.0	26.2
		3Ø	1.9	230 / 460	3.1 / 1.6	
TPH 2T 4K	½	1Ø	1.9	115 / 230	10.0 / 5.0	26.5
		3Ø	1.9	230 / 460	3.1 / 1.6	
TPH 2T 5K	¾	1Ø	1.9	115 / 230	14.8 / 7.4	29.8
		3Ø	1.9	230 / 460	4.2 / 2.1	
TPH 2T 6K	¾	1Ø	1.9	115 / 230	14.8 / 7.4	30.0
		3Ø	1.9	230 / 460	4.2 / 2.1	



Performance curves

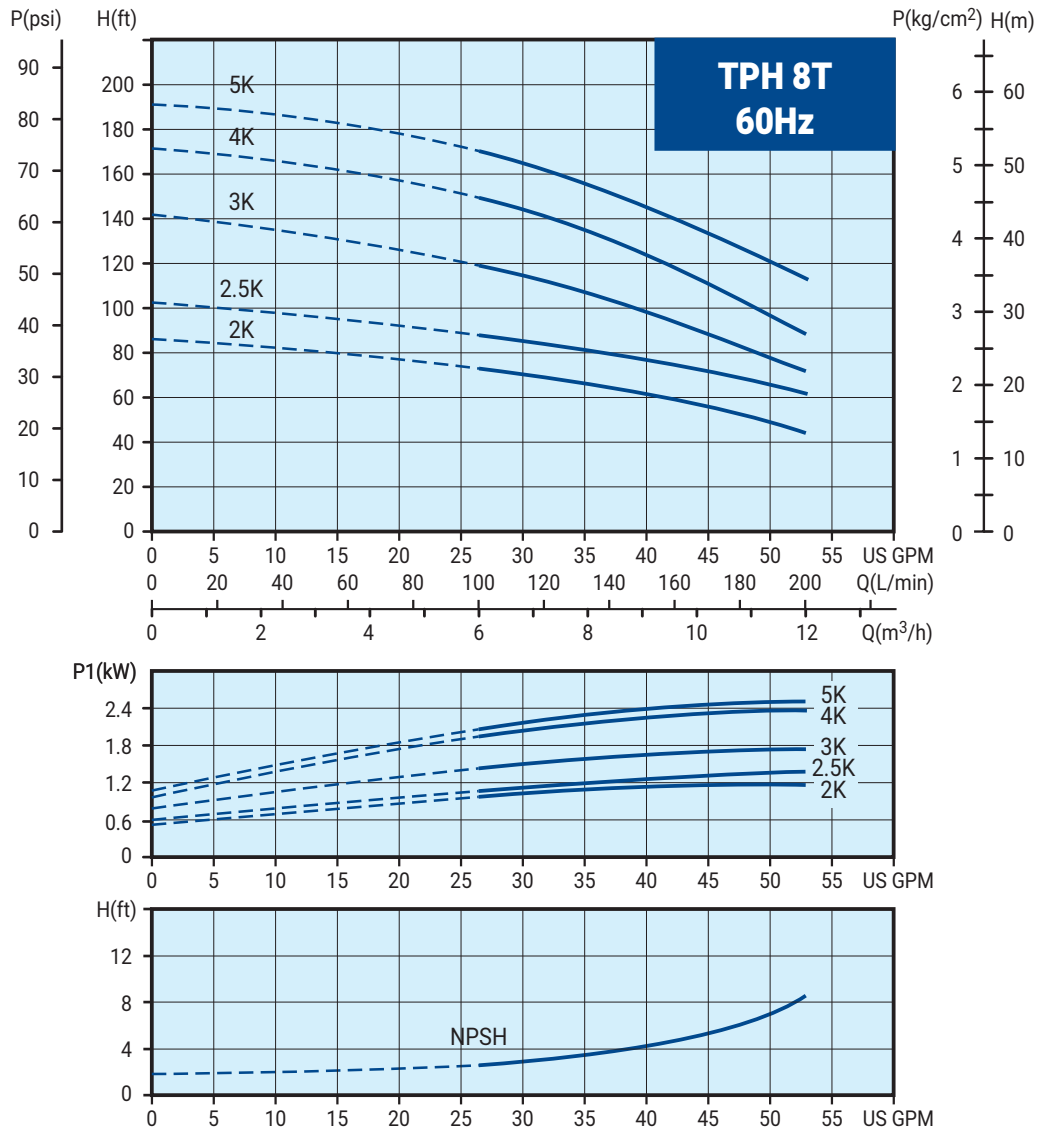


Electrical data, 60Hz, 3500rpm

Model	Power (HP)	Phase (Ø)	S.F.	Voltage (V)	Current (A)	Net Weight (lbs)
TPH 4T 2K	½	1Ø	1.9	115 / 230	10.0 / 5.0	25.8
		3Ø	1.9	230 / 460	3.1 / 1.6	
TPH 4T 3K	¾	1Ø	1.9	115 / 230	14.8 / 7.4	29.3
		3Ø	1.9	230 / 460	4.2 / 2.1	
TPH 4T 4K	1	1Ø	1.8	115 / 230	17.2 / 8.6	31.1
		3Ø	1.9	230 / 460	5.2 / 2.6	
TPH 4T 5K	1½	1Ø	1.5	230	11.0	31.3
		3Ø	1.5	230 / 460	7.4/3.7	
TPH 4T 6K	2	3Ø	1.9	230 / 460	11.6 / 5.8	35.5



Performance curves

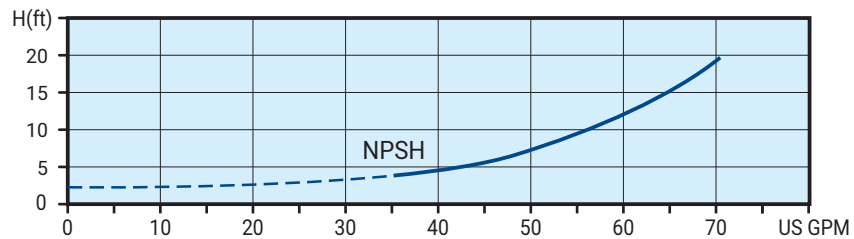
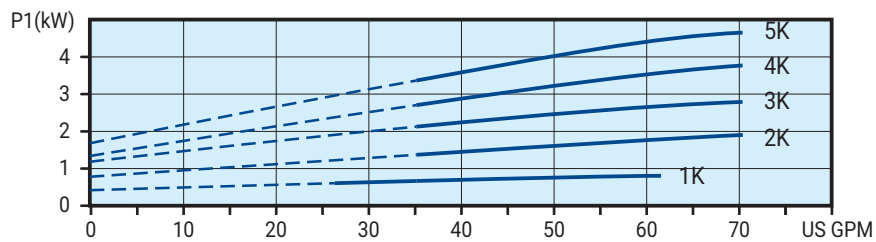
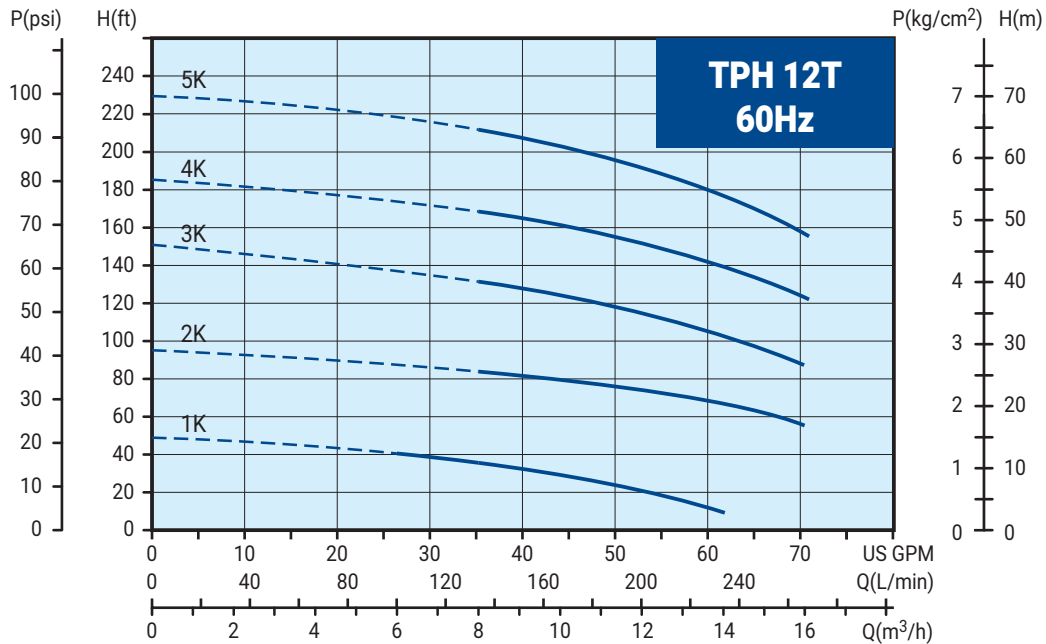


Electrical data, 60Hz, 3500rpm

Model	Power (HP)	Phase (Ø)	S.F.	Voltage (V)	Current (A)	Net Weight (lbs)
TPH 8T 2K	¾	1Ø	1.9	115 / 230	14.8 / 7.4	41.7
		3Ø	1.9	230 / 460	4.2 / 2.1	
TPH 8T 2.5K	1	1Ø	1.8	115 / 230	17.2 / 8.6	43.0
		3Ø	1.9	230 / 460	5.2 / 2.6	
TPH 8T 3K	1½	1Ø	1.5	230	11.0	48.5
		3Ø	1.5	230 / 460	7.4 / 3.7	
TPH 8T 4K	2	3Ø	1.6	230 / 460	10.4 / 5.2	56.4
TPH 8T 5K	2	3Ø	1.6	230 / 460	10.4 / 5.2	57.5



Performance curves

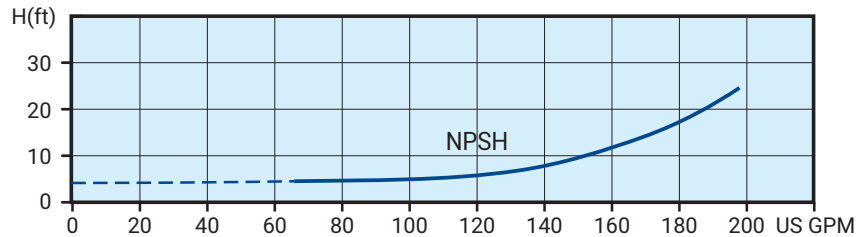
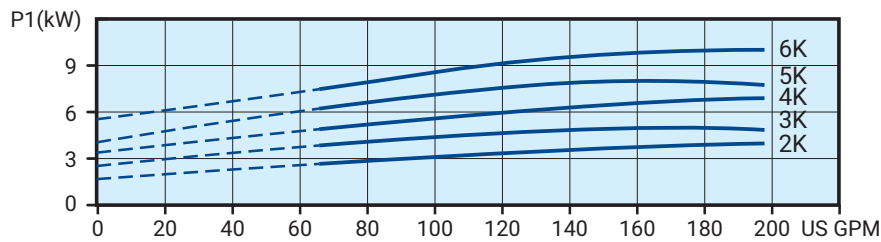
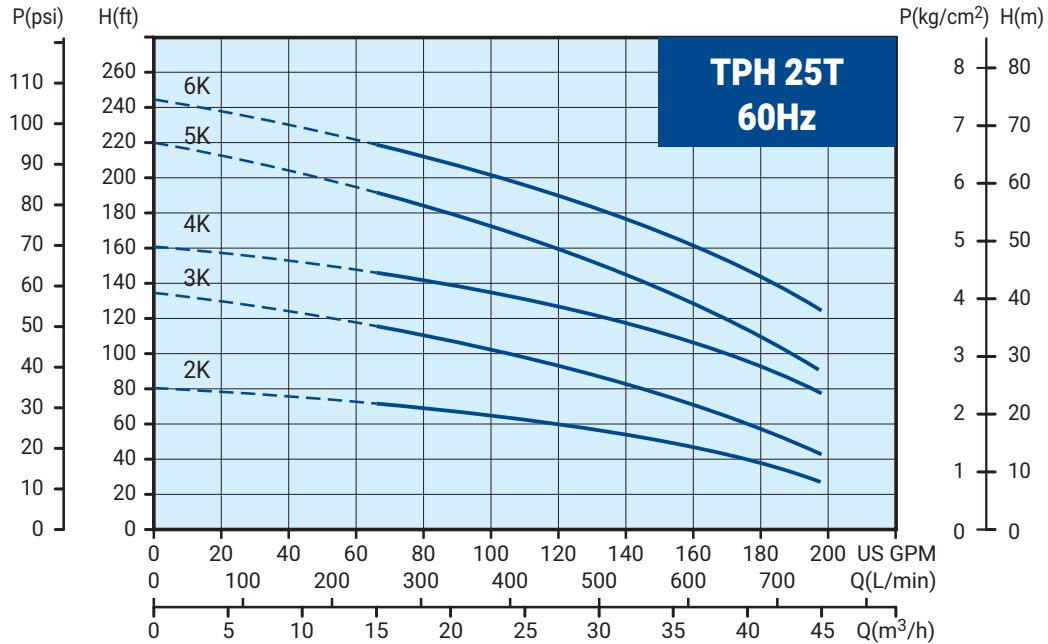


Electrical data, 60Hz, 3500rpm

Model	Power (HP)	Phase (Ø)	S.F.	Voltage (V)	Current (A)	Net Weight (lbs)
TPH 12T 1K	½	1Ø	1.9	115 / 230	10.0 / 5.0	40.1
		3Ø	1.9	230 / 460	3.1 / 1.6	
TPH 12T 2K	1½	1Ø	1.5	230	11.0	43.4
		3Ø	1.5	230 / 460	7.4 / 3.7	
TPH 12T 3K	2	3Ø	1.6	230 / 460	10.4 / 5.2	59.5
TPH 12T 4K	3	3Ø	1.5	230 / 460	12.6 / 6.3	63.9
TPH 12T 5K	4	3Ø	1.5	230 / 460	15.6 / 7.8	79.0



Performance curves

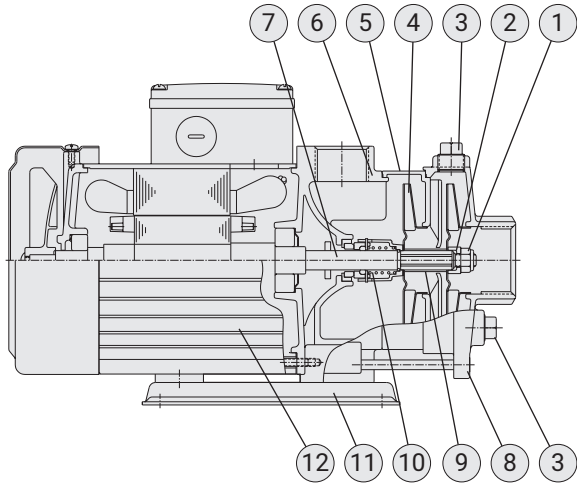


Electrical data, 60Hz, 3500rpm

Model	Power (HP)	Phase (∅)	S.F.	Voltage (V)	Current (A)	Net Weight (lbs)
TPH 25T 2KF	5	3∅	1.25	230 / 460	16.6 / 8.3	112.3
TPH 25T 3KF	5	3∅	1.25	230 / 460	16.6 / 8.3	125.1
TPH 25T 4KF	7.5	3∅	1.45	230 / 460	27.8 / 13.9	125.6
TPH 25T 5KF	10	3∅	1.5	230 / 460	36.6 / 18.3	151.5
TPH 25T 6KF	10	3∅	1.5	230 / 460	36.6 / 18.3	152.0



Sectional drawing (TPH 2T/4T)

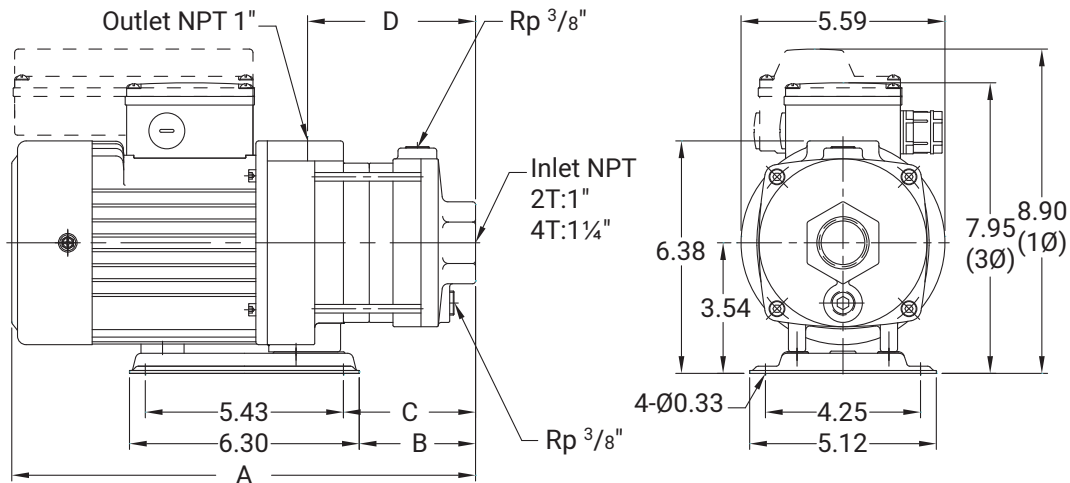


Materials

No.	Part name	Material	
		Standard	S series
1	Lock Nut	SUS 316	SUS 316
2	Sleeve (Shaft End)	SUS 304	SUS 304
3	Water Plug	FC 20	SUS 304
4	Impeller	SUS 304	SUS 304
5	Intermediate Chamber	SUS 304	SUS 304
6	Pump Casing	FC 20	SUS 304
7	Shaft	SUS 304	SUS 304
8	Suction Chamber	FC 20	SUS 304
9	Sleeve	SUS 304	SUS 304
10	Mechanical Seal	SiC + SiC + HNBR	
11	Mounted Base	Coating Steel	
12	Motor Shell	Aluminum alloy	

SUS 304 may be replaced by SUS 316, depending on stock availability.

Dimensions (TPH 2T/4T)



TPH 2T

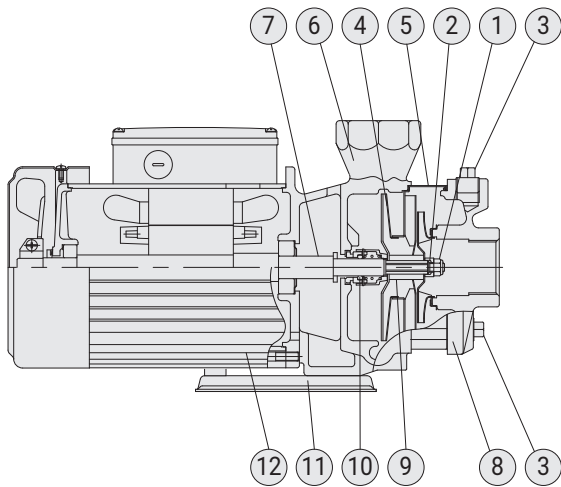
Model	A(in.)	B(in.)	C(in.)	D(in.)
TPH 2T 1K	12.01	1.81	2.91	3.90
TPH 2T 2K	12.01	1.81	2.91	3.90
TPH 2T 3K	12.72	3.19	3.62	4.61
TPH 2T 4K	13.43	3.90	4.33	5.31
TPH 2T 5K	15.71	4.61	5.04	6.05
TPH 2T 6K	16.42	5.31	5.75	6.73

TPH 4T

Model	A(in.)	B(in.)	C(in.)	D(in.)
TPH 4T 2K	12.36	2.83	3.27	4.29
TPH 4T 3K	15.00	3.90	4.33	5.31
TPH 4T 4K	16.06	4.96	5.39	6.38
TPH 4T 5K	17.13	6.02	6.46	7.44
TPH 4T 6K	19.37	7.09	7.52	8.54



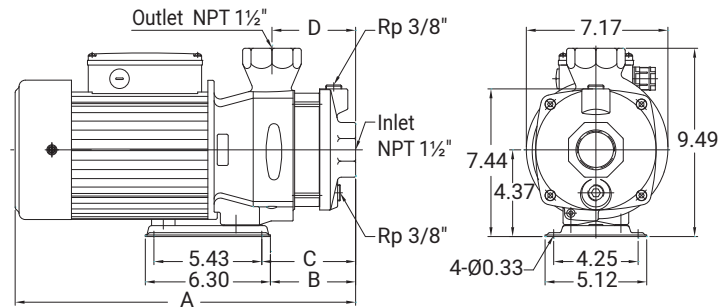
Sectional drawing (TPH 8T/12T)



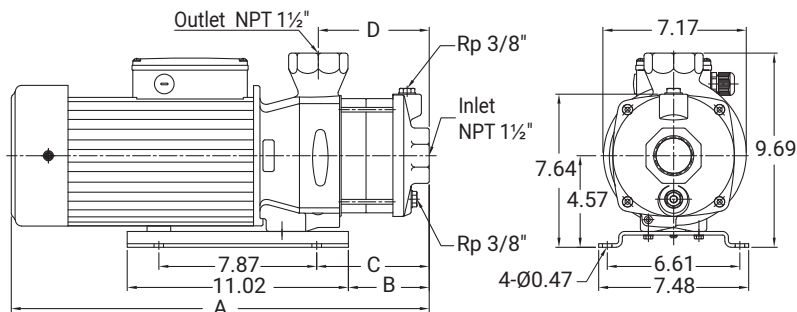
Materials

No.	Part name	Material	
		Standard	S series
1	Lock Nut	SUS 316	SUS 316
2	Sleeve (Shaft End)	SUS 304	SUS 304
3	Water Plug	FC 20	SUS 304
4	Impeller	SUS 304	SUS 304
5	Intermediate Chamber	SUS 304	SUS 304
6	Pump Casing	FC 20	SUS 304
7	Shaft	SUS 304	SUS 304
8	Suction Chamber	FC 20	SUS 304
9	Sleeve	SUS 316	SUS 316
10	Mechanical Seal	SiC + SiC + HNBR	
11	Mounted Base	Coating Steel	
12	Motor Shell	Aluminum alloy	

Dimensions (TPH 8T/12T1K~4K)



Dimensions (TPH12T5K)



TPH 8T

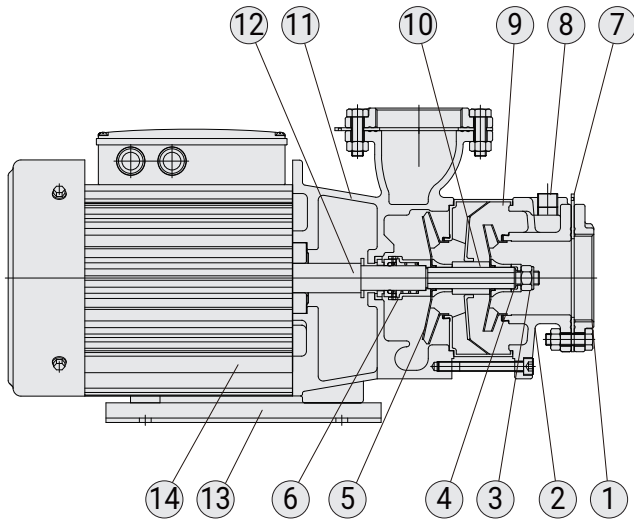
Model	A(in.)	B(in.)	C(in.)	D(in.)
TPH 8T 2K	13.19	3.03	3.46	2.95
TPH 8T 2.5K	16.02	4.29	4.72	4.21
TPH 8T 3K	16.02	4.29	4.72	4.21
TPH 8T 4K	17.13	4.29	4.72	4.21
TPH 8T 5K	18.48	5.63	6.06	5.55

TPH 12T

Model	A(in.)	B(in.)	C(in.)	D(in.)
TPH 12T 1K	13.19	3.03	3.46	2.95
TPH 12T 2K	14.76	3.03	3.46	2.95
TPH 12T 3K	17.13	4.29	4.72	4.21
TPH 12T 4K	17.13	4.29	4.72	4.21
TPH 12T 5K	20.87	4.06	5.63	5.55



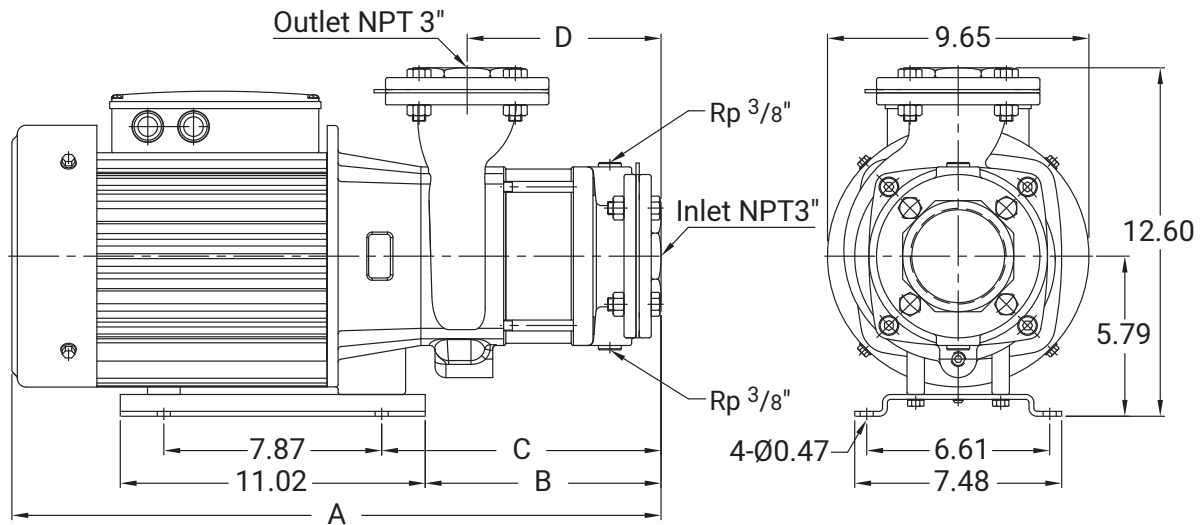
Sectional drawing (TPH 25T)



Materials

No.	Part name	Material	
		Standard	N series
1	Flange	FC 20	SUS 316
2	Suction Chamber	FC 20	SUS 316
3	Lock Nut	SUS 316	SUS 316
4	Sleeve (Shaft End)	SUS 316	SUS 316
5	Impeller	SUS 316	SUS 316
6	Mechanical Seal	SiC + SiC + HNBR	
7	Gasket	Teflon+NBR	
8	Water Plug	FC 20	SUS 316
9	Intermediate Chamber	SUS 316	SUS 316
10	Sleeve	SUS 316	SUS 316
11	Pump Casing	FC 20	SUS 316
12	Shaft	SUS 316	SUS 316
13	Mounted Base	Coating Steel	
14	Motor Shell	Aluminum alloy	

Dimensions (TPH 25T)



TPH 25T 60Hz

Model	A(in.)	B(in.)	C(in.)	D(in.)
TPH 25T 2KF	21.16	6.24	7.81	4.72
TPH 25T 3KF	23.52	8.60	10.18	7.09
TPH 25T 4KF	23.52	8.60	10.18	7.09
TPH 25T 5KF	27.85	10.96	12.54	9.45
TPH 25T 6KF	27.85	10.96	12.54	9.45



WALRUS
PUMP



MEMO





WALRUS
PUMP

Walrus America Inc.

20220 Hempstead Road, Suite #30, Houston, TX 77065

Phone: 281-955-8035 Fax: 281-955-8037

Web: www.walrusamerica.com