



**MULTISTAGE CENTRIFUGAL PUMP**

## **Immersible Pumps**

---

**TPCK 2T / 4T 60Hz**



**Walrus America Inc**

**ISO 9001 Certified**



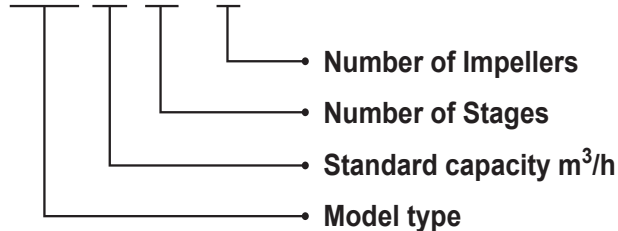
## Applications

The WALRUS TPCK Series are vertical multistage centrifugal pumps, designed for industrial use, specially for machine tools, to carry non-aggressive liquids such as water, coolant, light oil, etc.

- Industrial circulation system
- Washing/cleaning system
- Filtration system

## Product code

TPCK 2T \*\* - 13



## Pumps

Immersible vertical multistage centrifugal pump, self-priming, coupling connection between pump and motor, stainless steel construction design ensures corrosion-free operation.

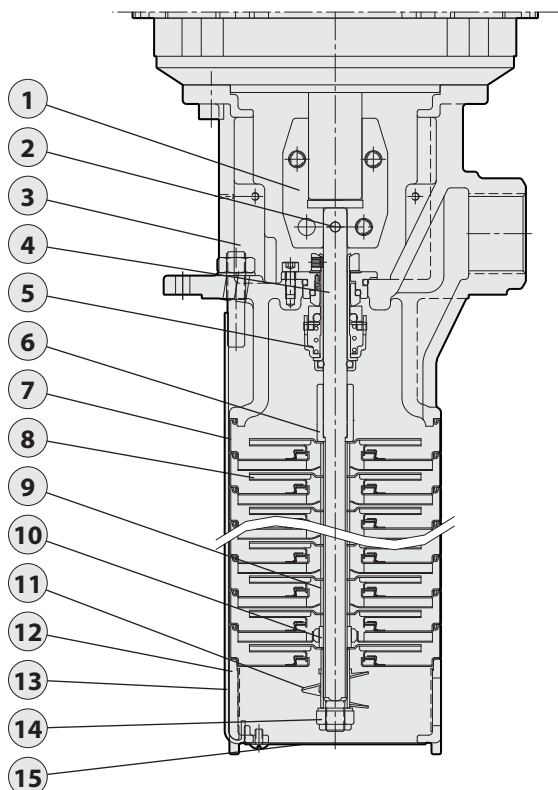
## Motors

Nominal speed :3450 rpm at 60Hz  
 Standard voltage : 3 phase : 230 / 460V  
 Protection class: IP54  
 Insulation class: F.

## Operating Limits

Ambient temperature :Max. 104°F (40°C)  
 Liquid temperature range :32°F (0°C) to 194°F (90°C)  
 Flow: 4 GPM to 48 GMP  
 Head: 40ft to 850ft  
 Operating pressure :Max. 427 psi  
 Submerged depth :Min. 2.6"

## Sectional drawing

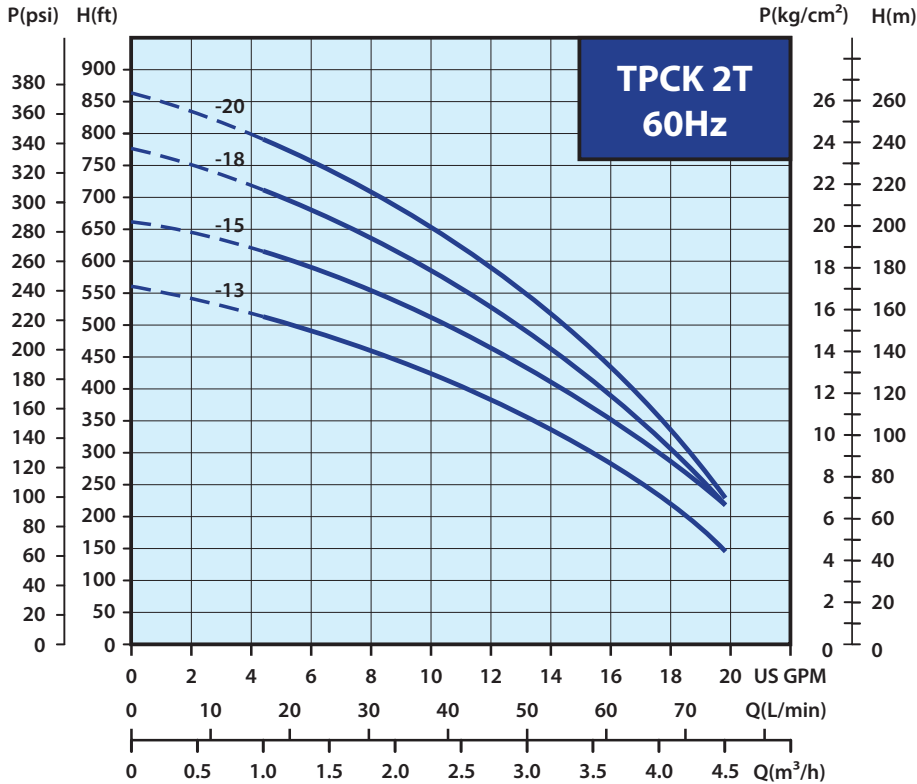


## Materials

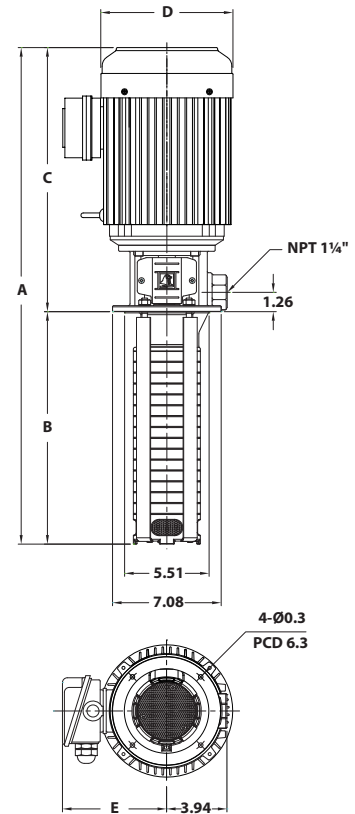
No.	Part name	Material
1	Coupling	SUS 304
2	Spring Pin	SUS 304
3	Pump Casing	Cast iron FCD 45
4	Shaft	SUS 304
5	Mechanical Seal	Tungsten Carbide + HNBR
6	Sleeve	SUS 304
7	Intermediate Chamber	SUS 304
8	Impeller	SUS 304
9	Sleeve (impeller)	SUS 304
10	Bearing	Tungsten Carbide
11	Priming Screw	SUS 304
12	Suction Intercon-nectector	SUS 304
13	Strap	SUS 304
14	Lock Nut	SUS 316
15	Filter	SUS 304



## Performance curves



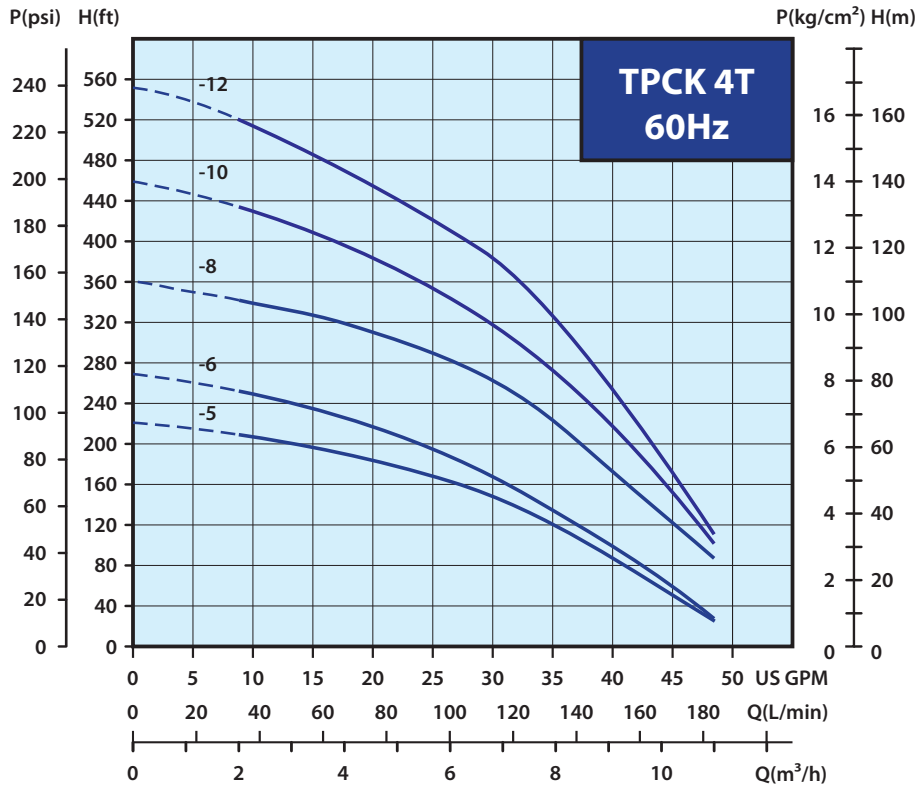
## Dimensions (in.)



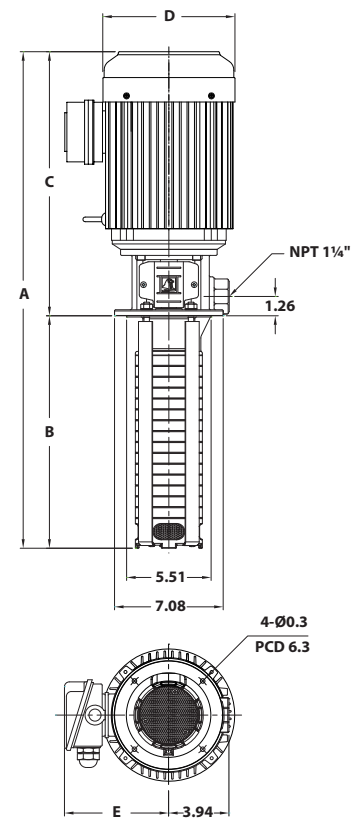
## Electrical data, 60Hz , 3450rpm

Model	PH (Ø)	Power (kW)	Volts (V)	Ampere (A)	Dimensions (in.)					N.W. (lb)
					A	B	C	D	E	
TPCK2T 13-13	3	3.0	230 / 460	9.9 / 4.9	31.18	13.74	17.44	8.62	6.81	95.4
TPCK2T 15-15	3	3.0	230 / 460	9.9 / 4.9	32.60	15.16	17.44	8.62	6.81	95.8
TPCK2T 18-18	3	4.0	230 / 460	14.3 / 7.1	34.72	17.28	17.44	8.62	6.81	97.4
TPCK2T 20-20	3	4.0	230 / 460	14.3 / 7.1	36.14	18.70	17.44	8.62	6.81	100.2
TPCK2T 22-20	3	4.0	230 / 460	14.3 / 7.1	37.56	20.12	17.44	8.62	6.81	104.2
TPCK2T 26-20	3	4.0	230 / 460	14.3 / 7.1	40.39	22.95	17.44	8.62	6.81	105.3

## Performance curves



## Dimensions (in.)



## Electrical data, 60Hz , 3450rpm

Model	PH (Ø)	Power (kW)	Volts (V)	Ampere (A)	Dimensions (in.)					N.W. (lb)
					A	B	C	D	E	
TPCK4T 5 - 5	3	2.2	230 / 460	7.7 / 3.8	24.61	9.84	14.76	6.89	5.59	60.4
TPCK4T 6 - 6	3	2.2	230 / 460	7.7 / 3.8	25.67	10.91	14.76	6.89	5.59	61.0
TPCK4T 8 - 8	3	3.0	230 / 460	9.9 / 4.9	30.47	13.03	17.44	8.62	6.81	91.9
TPCK4T 10-10	3	4.0	230 / 460	14.3 / 7.1	32.60	15.16	17.44	8.62	6.81	94.9
TPCK4T 12-12	3	4.0	230 / 460	14.3 / 7.1	34.72	17.28	17.44	8.62	6.81	97.4
TPCK4T 14-12	3	4.0	230 / 460	14.3 / 7.1	36.85	19.41	17.44	8.62	6.81	95.8
TPCK4T 16-12	3	4.0	230 / 460	14.3 / 7.1	38.98	21.54	17.44	8.62	6.81	97.1
TPCK4T 17-12	3	4.0	230 / 460	14.3 / 7.1	40.04	22.60	17.44	8.62	6.81	99.1
TPCK4T 19-12	3	4.0	230 / 460	14.3 / 7.1	42.17	24.72	17.44	8.62	6.81	98.7
TPCK4T 22-12	3	4.0	230 / 460	14.3 / 7.1	45.35	27.91	17.44	8.62	6.81	100.7



## Walrus America Inc

20220 Hempstead Road, Suite #30, Houston, TX 77065

Phone: 281-955-8035 Fax: 281-955-8037

Web: [www.walrusamerica.com](http://www.walrusamerica.com)