

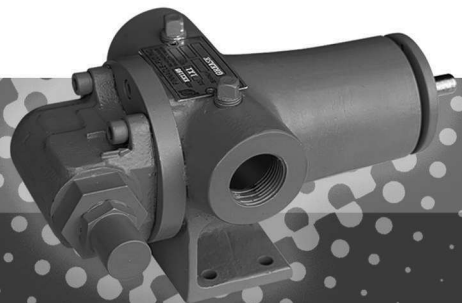


Pinnacle-Flo, Inc.

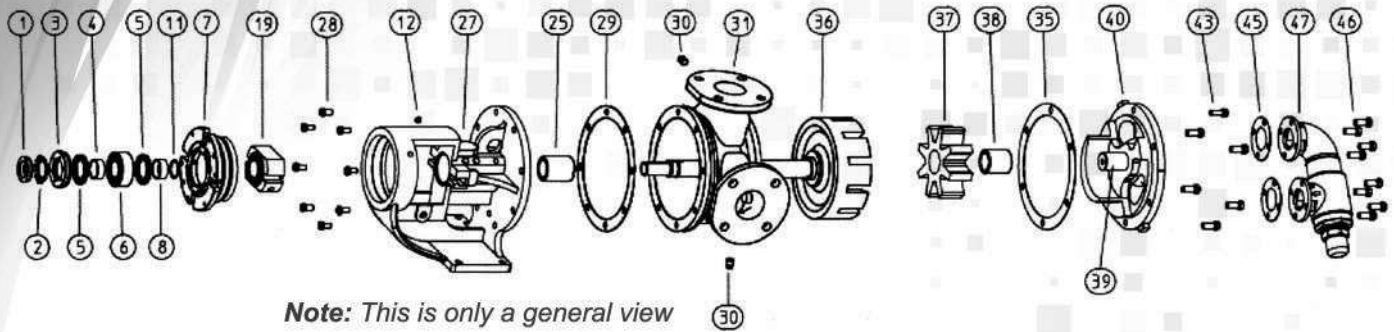
# Pinnacle-Flo, Inc.



## **Buffalo** Internal GearPumps



# EXPLODED VIEW - TYPICAL



Note: This is only a general view

## ITEM DESCRIPTION

- |                                  |   |
|----------------------------------|---|
| 1. Locknut                       | 29. Bracket Gasket                        |
| 2. Lockwasher                    | 30. Pipe Plug                             |
| 3. End Cap for Bearing Housing   | 31. Casing                                |
| 4. Bearing Spacer Collar (Outer) | 35. Head Gasket                           |
| 5. Lip Seal                      | 36. Rotor and Shaft                       |
| 6. Ball Bearing                  | 37. Idler                                 |
| 7. Bearing Housing               | 38. Idler Bushing                         |
| 8. Bearing Spacer Collar (Inner) | 39. Idler Pin                             |
| 11. Ring Half Round              | 40. Head                                  |
| 12. Grease Fitting               | 43. Capscrew for plain or valve type Head |
| 19. Mechanical Seal              | 46. Capscrew for valve                    |
| 25. Bracket Bushing              | 45. Relief valve Gasket                   |
| 27. Bracket                      | 47. Relief valve                          |
| 28. Capscrew for Bracket         |   |



## MATERIALS OF CONSTRUCTION

Bracket	Casing	Head	Rotor**	Idler**	Idler Pin / Rotor Shaft
Cast Iron	Cast Iron	Cast Iron	Cast Iron	Cast Iron	Carbon Steel
Bushings	Packing	Mechanical Seal	Relief Valve		
Bronze / Carbon Graphite	Teflon Graphite	Buna / Viton (optional)	Iron		

\*\* Also available in carbon steel.

# Buffalo Series

## Internal Gear Pump



BG MODEL	PORT SIZE
BG-H	1 ½ X 1 ½ NPT
BG-HL	1 ½ X 1 ½ NPT
BG-K	2 X 2 NPT
BG-KK	2 X 2 NPT
BG-L	2 X 2 NPT
BG-LQ	2 ½ X 2 ½ FLANGES 125# FF
BG-LL	3 X 3 FLANGES 125# FF
BG-LS	3 X 3 FLANGES 125# FF
BG-Q	4 X 4 FLANGES 125# FF
BG-QS	6 X 6 FLANGES 125# FF
BG-AK	2 X 2 NPT
BG-AL	2 X 2 NPT

NOTE: Some models are available with jackets

BG-8195 MODEL	PORT SIZE
BG-GG8195	1 X 1 NPT
BG-HJ8195	1 ½ X 1 ½ NPT
BG-HL8195	1 ½ X 1 ½ NPT
BG-AS8195	2 ½ X 2 ½ NPT
BG-AK8195	2 ½ X 2 ½ NPT
BG-AL8195	3 X 3 NPT

BG-SS MODEL	PORT SIZE
BG-K127A	2X2 FLANGES 150#FF
BG-KK127A	2X2 FLANGES 150#FF
BG-LQ127A	2½ X 2½ FLANGES 150#FF
BG-LL127A	3X3 FLANGES 150#FF



**Pinnacle-Flo, Inc.**



Self Priming Solids Handling Pump  
**Mad Dog series**



AODD Pump  
**Blue Dog series**



Pinnacle 8896  
**ANSI pump series**

**Pinnacle-Flo, Inc.**

10620 Stebbins Circle Suite D • Houston, TX 77043

Office: (832) 303-1245 / Fax: (832) 900-9398

[www.pinnacle-flo.com](http://www.pinnacle-flo.com)

email: [sales@pinnacle-flo.com](mailto:sales@pinnacle-flo.com)